

# Westgate LED Disk Light Installation Instructions

Installation instructions for Model: DLS4-27K, DLS4-30K, DLS4-41K, DLS4-50K  
DLS6-27K, DLS6-30K, DLS6-41K, DLS6-50K

## WARNING:

- Read all instruction before installation.
- System is intended for installation by a qualified electrician in accordance with the National Electrical Code and local regulations.
- Go to the main fuse box, or circuit breaker. Place the main power switch in the "OFF" position and unscrew the fuse(s) or switch "OFF" the circuit breaker switch(es) that control the power to the fixture or room that you are working on.
- Place the wall switch in the "OFF" position.
- Supply conductors (Power Wires) Connecting the fixture must be rated minimum 90°C. If uncertain, consult an electrician.

## CAUTIONS

- These luminaires (fixtures) are designed to meet the latest NEC requirements and are listed in full compliance with ETL list.
- Before attempting installation, check your local electrical code, as it sets the wiring standards for your locality.

## INSTALLATION

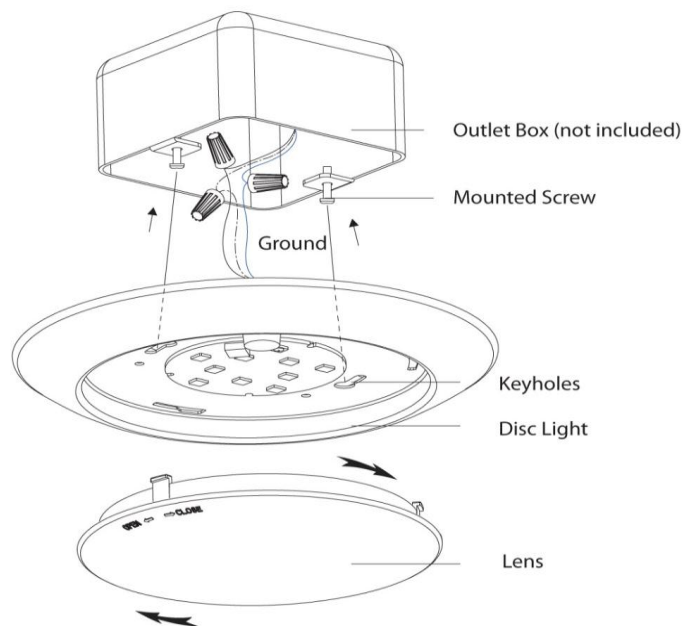
### Over standard electrical junction box

1. Attach two mounted screws into outlet box leaving enough of screw exposed to engage keyholes in the top of disk light (Fig. 1).
2. Provide electrical service according to the "National Electrical Code" or your local electrical code to the outlet box.
3. Connect supply wires to fixture wires and insulate with proper size wire nuts (Fig. 1).
4. Connect incoming ground wire (green or bare) to fixture ground wire (green or bare).
5. Connect incoming common (white) wire to fixture common (white).
6. Connect incoming hot (typically black) wire to fixture black wire.
7. Raise the disc light to the junction box and tighten screws.

## LENS INSTALLATION

Twist the lens clockwise on disk light metal enclosure and lock the lens in place.

Fig. 1



# Westgate LED Disk Light Installation Instructions

Installation instructions for Model: DLS4-27K, DLS4-30K, DLS4-41K, DLS4-50K

DLS6-27K, DLS6-30K, DLS6-41K, DLS6-50K

## Installation onto existing 5 inch or 6 inch recessed housings

1. Screw E26 "medium screw base" socket adapter into socket in housing. (Fig. 2)
2. Plug the female connector of the disc light onto the male connector of the socket adapter assembly. (Fig. 3)
3. Squeeze the torsion springs together as shown and install into torsion spring brackets inside the housing. (Fig. 4)
4. Tuck all wires into to the housing and carefully push the disk light into housing. (Fig. 4)

## LENS INSTALLATION

Twist the lens clockwise on disk light metal enclosure and lock the lens in place.

Fig. 2

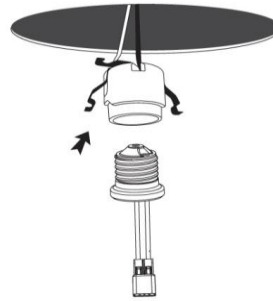


Fig. 3

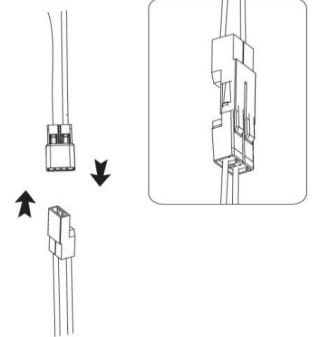
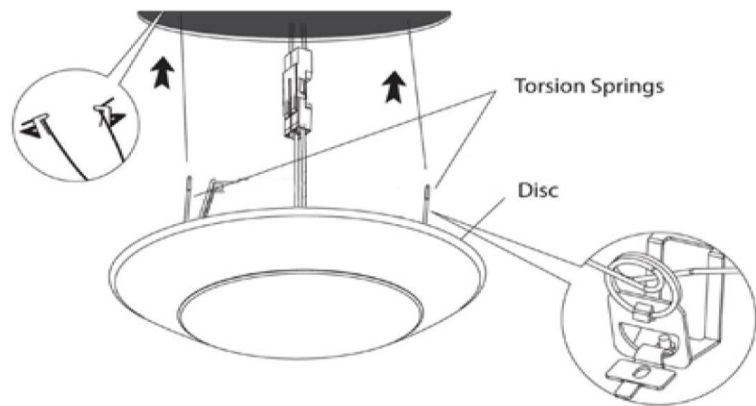


Fig. 4



### Caution

Make sure that tab in bracket should be positioned inward.

